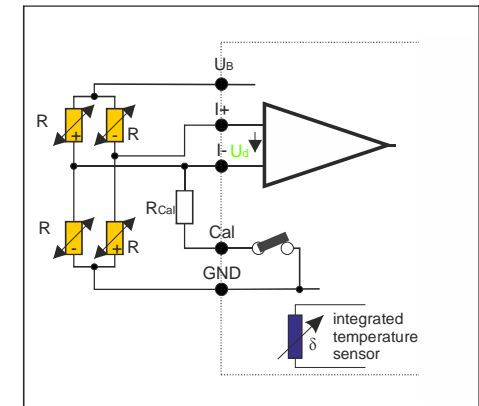
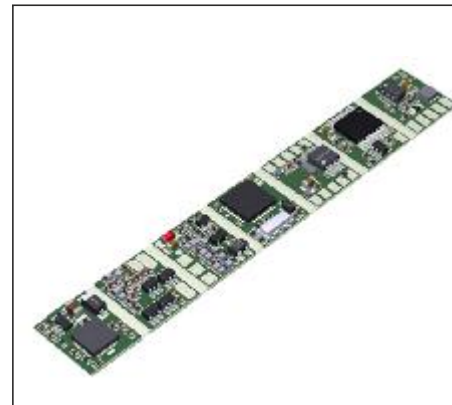
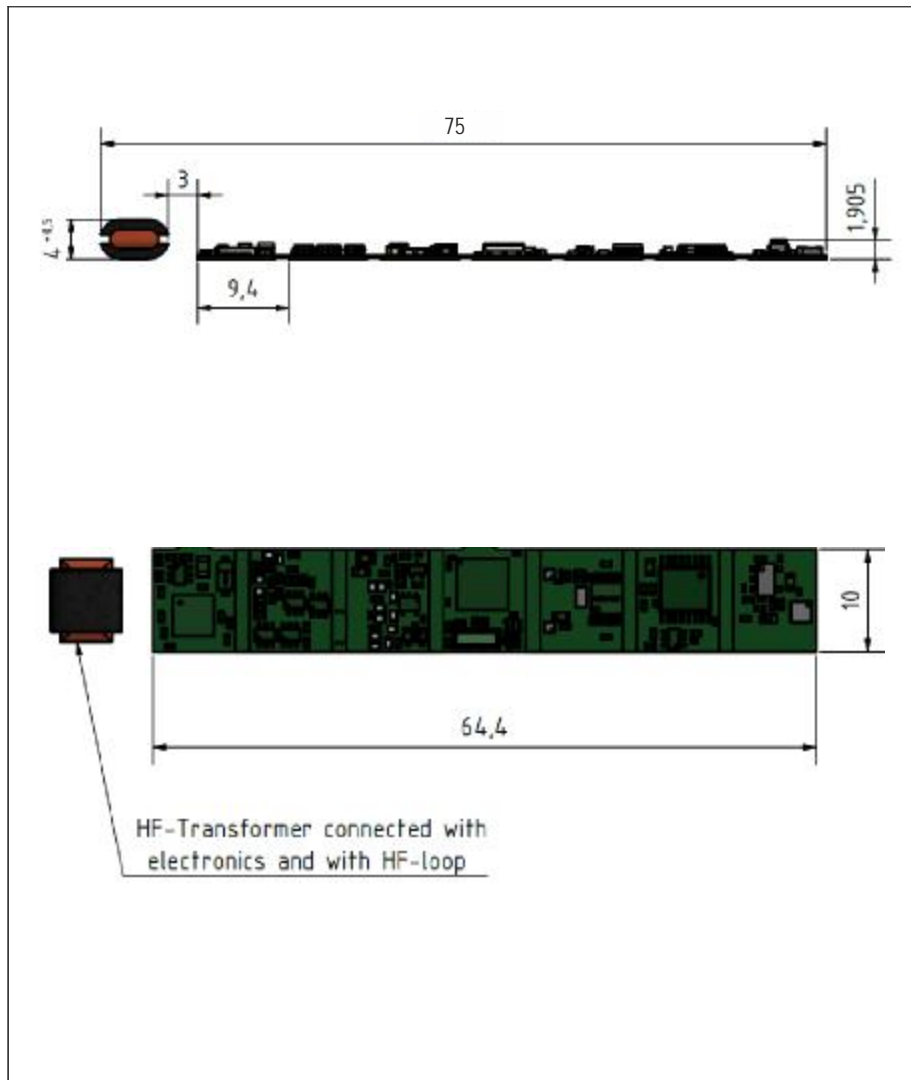


Sensor Signal Amplifier Type RMC Samy - Flex



RMC Samy Flex

For strain gage, PT100

Sensitivity: 0.02 mV/V to 11 mV/V

Bandwidth: 10 Hz to 10 kHz

Strain gage bridge supply: 3.3 V

Strain gage bridge resistance: 350 (120, 1000) Ω

Transmission: inductive sensor telemetry PCM

Integrated filter

Resolution: 16 Bits

Zero point drift: 0.02 [%/°C], (0.01, 0.003 option)

Remote shunt calibration

Remote gain, zero, auto zero with 16 Bit resolution

Additional temperature channel (option)

Environmental temperature range: -40°C to +85°C (125°C, 160°C, 180°C)

Max load: 50 000 g (depending on fixing)

Type: SV_Flex_<accuracy>_<temp>_<mod>_<bandwidth>_<rmc>_<TC>

0,02	85	PCM16	1 kHz	R	-
0,01	125		2 kHz		
0,003	160		10 kHz		
	180				